

FIGHT CLUB



STRIKE FIRST, STRIKE HARD

BALTIC SHIELD: OPERATION PARRY

*A Land Warfare Tactical Decision
Challenge from Fight Club
International*

COMBAT MISSION
★ PROFESSIONAL EDITION ★

Fight Club OPORD 08-19 (PARRY)

REF MAP SERIES	TIME ZONE USED	DTG PUBLISHED	COPY__OF__
Map. Tõrvajõe-Olgina Custom (Annex A)	Uniform (Local)	090500AUG19	

TASK ORGANIZATION

See Annex B (TASK ORGANIZATION)

1. (U) **SITUATION.** Over the past 24 hours Donovan Forces have crossed the international border in the vicinity of Narva City and have been attacking from east to west with the main effort centralized around the capture of the Narva-Donovian Bridge. So far, Estonian Defense Forces supported by UK(NATO) Enhanced Forward Presence (EFP) have been able to deny Donovan Forces any major foot hold over the Narva River. ISR has now identified a secondary formation of Donovan Forces crossing the Narva River approximately 4km to the North of Narva City and moving southwest towards the vicinity of Tõrvajõe-Olgina (AO Parry). Assumed intent is to cut off MSR E20 and secure the adjacent airfield to the south. If Donovan Forces are successful, this would cut off one of the main high-speed avenues of approach into the city, effectively enveloping NATO forces and providing Donovan forces with a logistical node for continued operations. Human-driven intelligence has reported forward Donovan Forces staging a Tactical Assembly Area (TAA) approximately 2km north of the MSR. NATO Forces are still in the process of organizing and have limited resources to respond to this threat. Task Force Aegis, comprised of a Mechanized Estonian Infantry PLT from the Estonian Scouts BN, 1st Co, plus two support PLTs and a section of 81mm mortars from UK 2nd Rifles (2nd BN, Maneuver Support Co), have been tasked with delaying this threat until follow-on forces can be organized and allocated.

- a. (U) Enemy Forces. See Annex C (Intelligence Estimate)
- b. (U) Friendly Forces. See Annex D

Purpose: Delay Donovan Force's seizure of MSR E20 and airfield IOT deny vital ground to Donovan Forces.

Key Tasks:

- Investigate and clear NAIs
- Locate and conduct spoiling attack on enemy TAA (OBJ SPEAR TIP)

Conditions that Represent the Endstate:

- Terrain: Deny enemy forces occupation of vital ground
- Enemy: defeat and force to withdraw from AO

Fight Club OPOD 08-19 (PARRY)

- Civil: Estonian Government and Defense Forces have reestablished control of AO

(3) (U) Higher Concept. The purpose of Regional NATO Forces operations is to reestablish the international boundary. Decisive to this operation is the denial of vital infrastructure that allows for the crossing of the Narva River and the destruction of Donovanian Forces. This is decisive because denying the required infrastructure for enemy cross-border entry will allow NATO forces to mass overwhelming combat power in-zone and restore the international boundaries.

(4) (U) Regional Defenses Forces Mission: Defend in Depth along the international boundary. Denying vital crossing points across the Narva River IOT delay Donovanian Forces long enough for NATO Forces to mass a counterattack and push the enemy back across the international boundary.

(5) (U) Regional Defenses Forces Intent: Prevent Enemy Forces from establishing a foothold on the west side of Narva River.

Purpose: Restoration of the international boundary with Estonia.

Key Tasks:

- Rapid seizure of vital infrastructure
- Control of high-speed avenues of approach
- Disrupt Enemy Forces' ability to coordinate and mass combat power for a decisive attack

Conditions that represent the endstate:

- Terrain: NATO Forces control key terrain and vital infrastructure
- Enemy: Unable to influence Friendly Forces operations in AO
- Civil: Estonian Government and defense forces establish control in AO

2. (U) MISSION. Task Force Aegis conducts a Recon in force of NAls followed by a spoiling attack on suspected Enemy TAA (OBJ SPEAR TIP) NLT 091100AUG19 IOT delay and disrupt Enemy Forces from making a decisive seizure of MSR E20 and adjacent airfield, until friendly follow-on forces can secure AO PARRY.

3. (U) EXECUTION.

- (U) COMMANDERS INTENT. The purpose of this operation is to prevent Donovanian Forces from massing in AO PARRY, deny vital infrastructure, and 'parry' the enemy's advance into Regional Defense Forces' rear northern flank.

Purpose: ensure that MSR E20 and adjacent airfield are denied to Enemy Forces.

Fight Club OPORD 08-19 (PARRY)

Key Tasks:

- Investigate and clear NAIs
- Locate and conduct spoiling attack on enemy TAA (OBJ SPEAR TIP)

Conditions that represent the endstate:

- Terrain: clear and secure NAIs and hold OBJ SPEAR TIP
- Enemy: unable to influence friendly units maneuver through AO PARRY
- Civil: Task Force minimizes collateral damage to MSR, airfield and civil infrastructure in AO PARRY

4. **(U) SERVICE & SUPPORT.** Nonorganic support is currently unavailable. Organic 81mm mortars in Boxer APCs will provide fires. CAS is currently unavailable. Sustainment will be provided by two cargo UVGs with extra small arms munitions, fuel and food to sustain Task Force AEGIS for the next 72 hours.

- a. One section of 81mm Mortars
- b. Two Cargo UVGs

5. **(U) COMMAND & SIGNAL.** Task Force command belongs to 1 PLT, A Co, Estonian Scout BN PL 1-1. Radio communications in the AO are experiencing light forms of distortion from jamming capabilities on both sides. Comms will be facilitated through vehicle mounted radios and dismounted manpacks.

- a. (U) Succession of Command: See Annex E

ROE. Task Force is currently under a weapons free status with direct fire weapons systems, fire on known and suspected enemy positions with extreme prejudice. Indirect fires are restricted in residential areas. Destruction or degrading of the airfield and MSR in any way is prohibited.

Commanders Notes.

“- the triumph of high achievement, and who, at the worst, if he fails, at least he fails while daring greatly, so that his place shall never be with those cold and timid souls who knew neither victory nor defeat.”

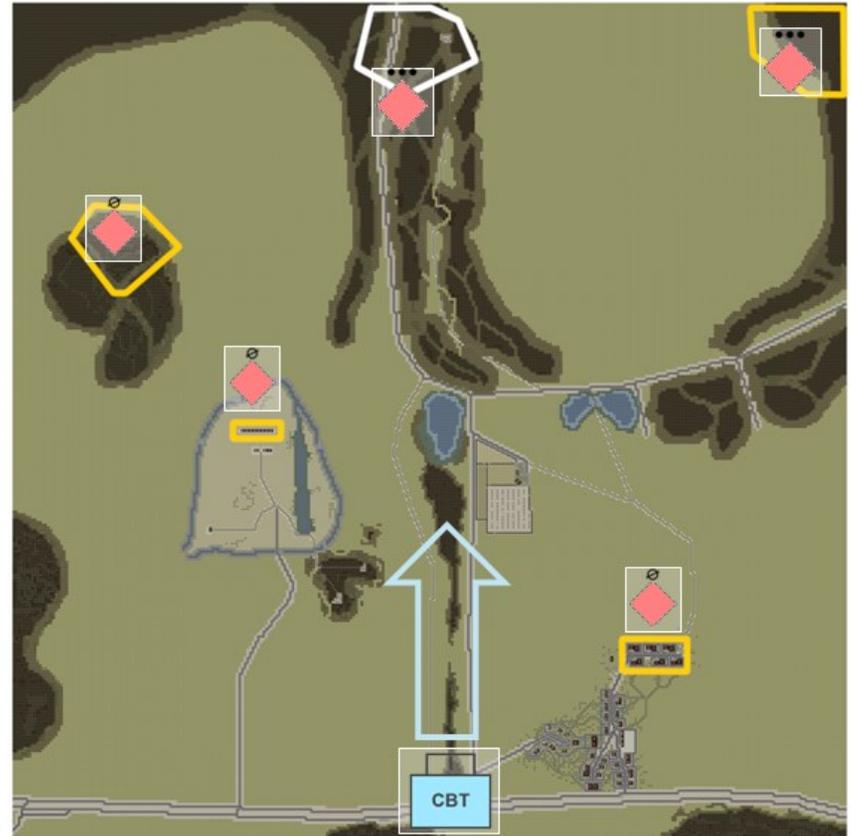
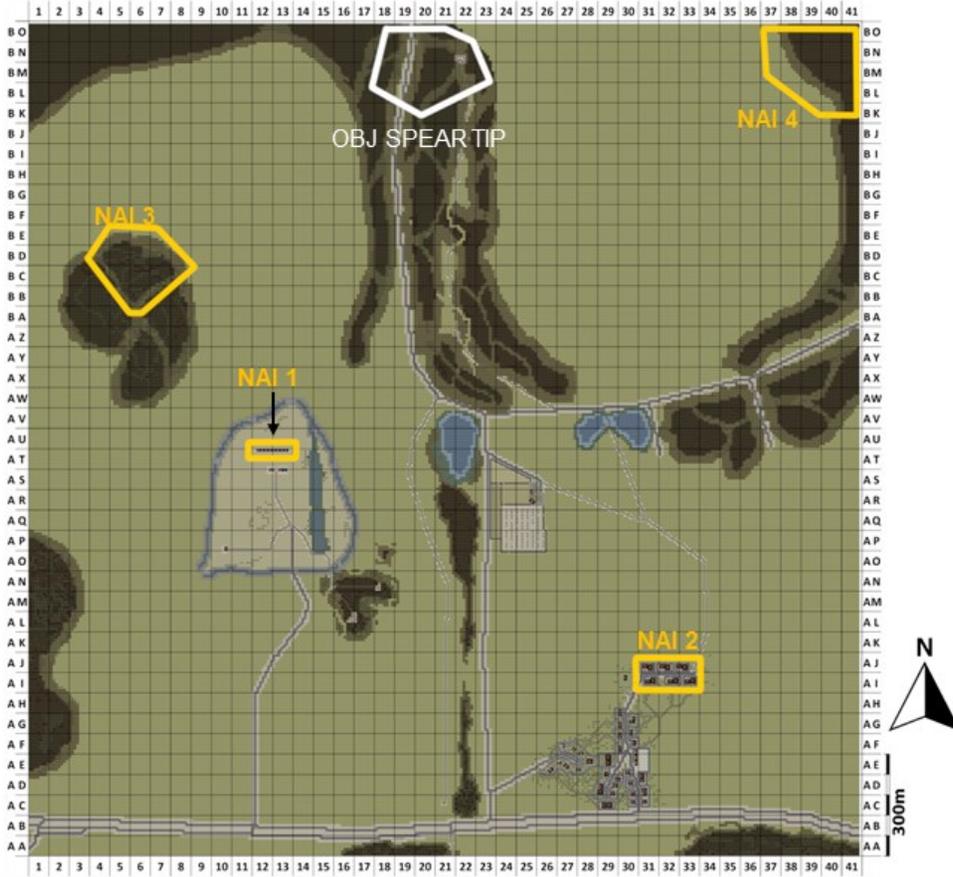
Excerpt from The Man in the Areana.

- Theodore Rosevelt

Fight Club OPORD 08-19 (PARRY)

UNCLASSIFIED

ANNEX A (AO PARRY MAP REF) to OPORD (Parry)



UNCLASSIFIED

UNCLASSIFIED

Fight Club OPORD 08-19 (PARRY)

UNCLASSIFIED

ANNEX B (Task Organization) to OPORD (PARRY)

NATO FORCES in AO NARVA

Task Force Aegis

Estonian Scouts BN SUPPORT Co

- 1 PLT A Co
- 2 PLT A Co
- 3 PLT A Co

Estonian Scouts BN A Co

- 1 PLT A Co
- 2 PLT A Co
- 3 PLT A Co

Estonian Scouts BN B Co

- 1 PLT A Co
- 2 PLT A Co
- 3 PLT A Co

Estonian Scouts BN C Co

- 1 PLT A Co
- 2 PLT A Co
- 3 PLT A Co

UK 2 RIFLES 2 BN SUPPORT Co

- Recce PLT
- Sniper PLT
- Anti Tank PLT
- Pioneer PLT

UK 2 RIFLES 2 BN A Co

- 1 PLT
- 2 PLT
- 3 PLT

Mortar Section

UK 2 RIFLES 2 BN B Co

- 1 PLT
- 2 PLT
- 3 PLT
- Mortar Section

UK 2 RIFLES 2 BN C Co

- 1 PLT
- 2 PLT
- 3 PLT
- Mortar Section

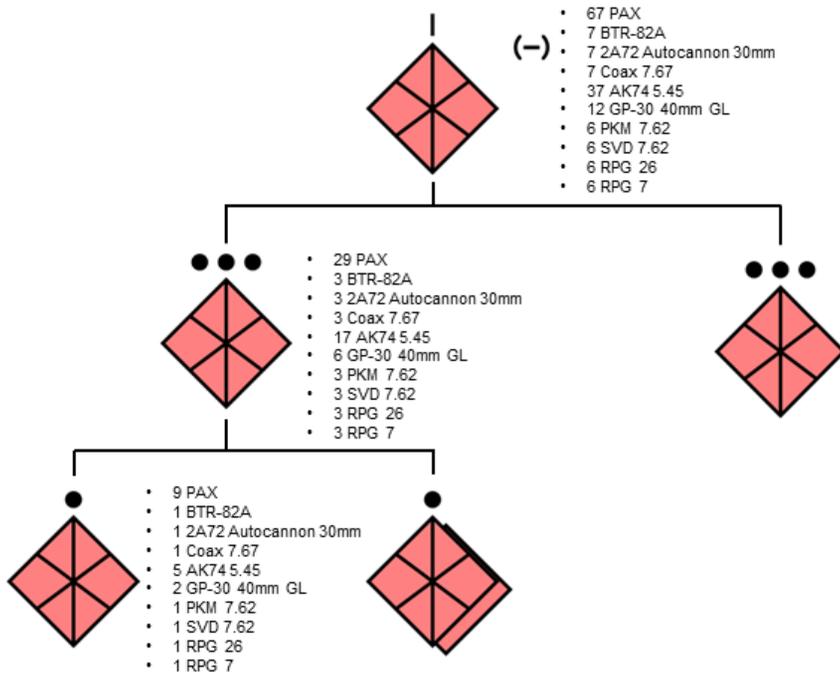
UNCLASSIFIED

Composition Enemy Forces

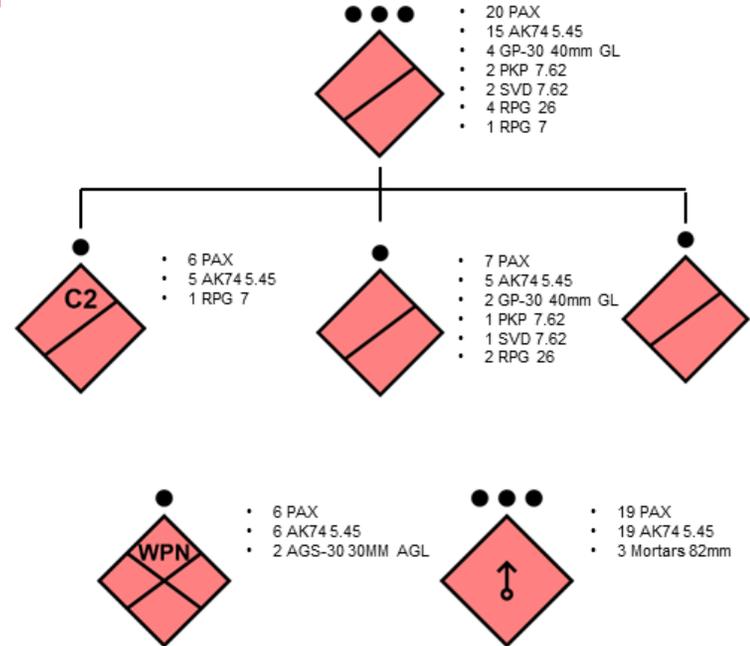
Forward security Element of 1st BN 1st Motor Rifle Co (100% STR)



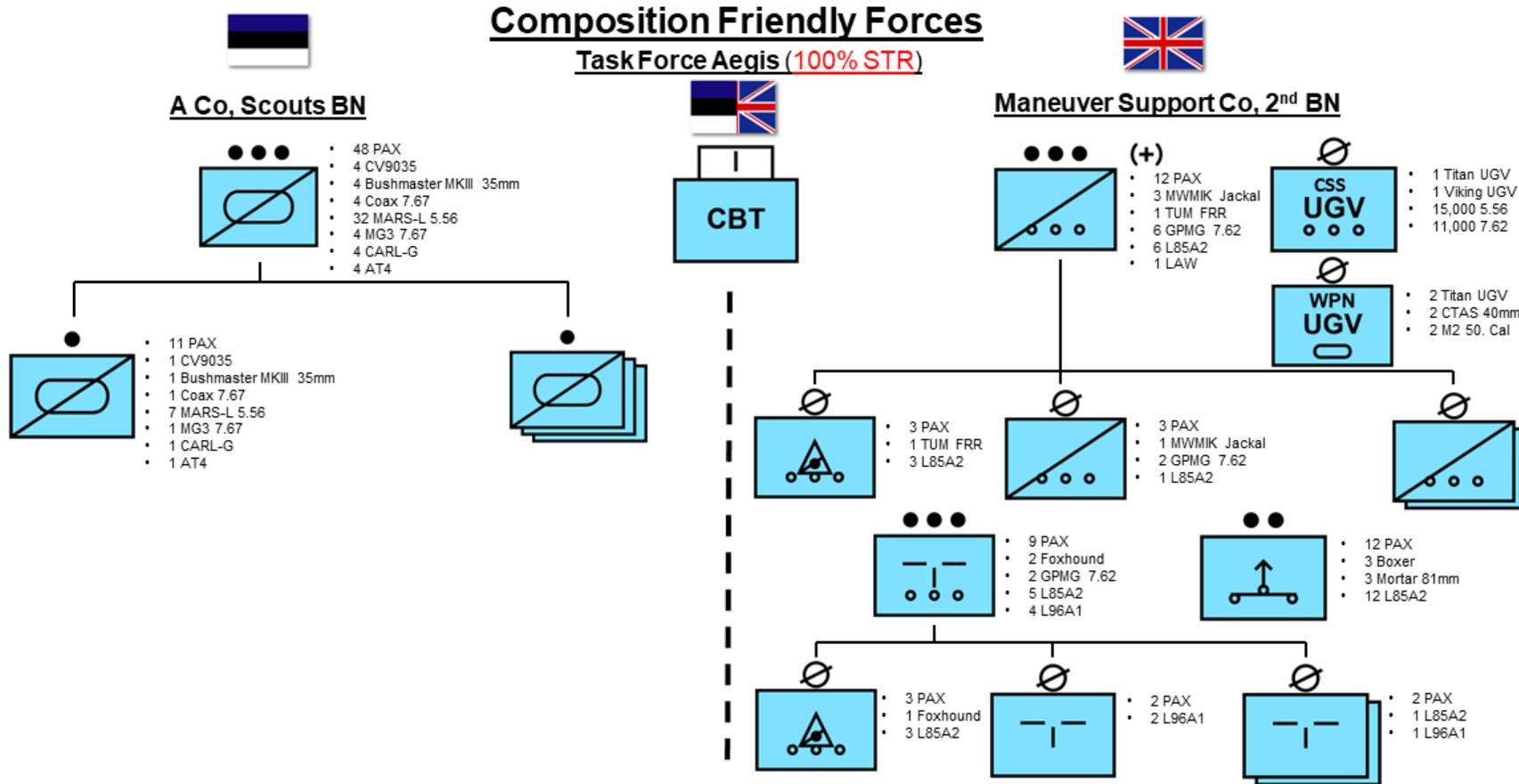
Motor Rifle Co (-) Organic



Attached



ANNEX D (Friendly Forces) to OPORD (PARRY)



UNCLASSIFIED

Fight Club OPORD 08-19 (PARRY)

UNCLASSIFIED

ANNEX E (Succession of Command) to OPORD (PARRY)

Succession of Command	Call Sign
A Co, 1 PLT PL	A1-6
A Co, 1 PLT SGM	A1-7
A Co, 1 PLT 1 ST SQL	A1-1

UNCLASSIFIED
